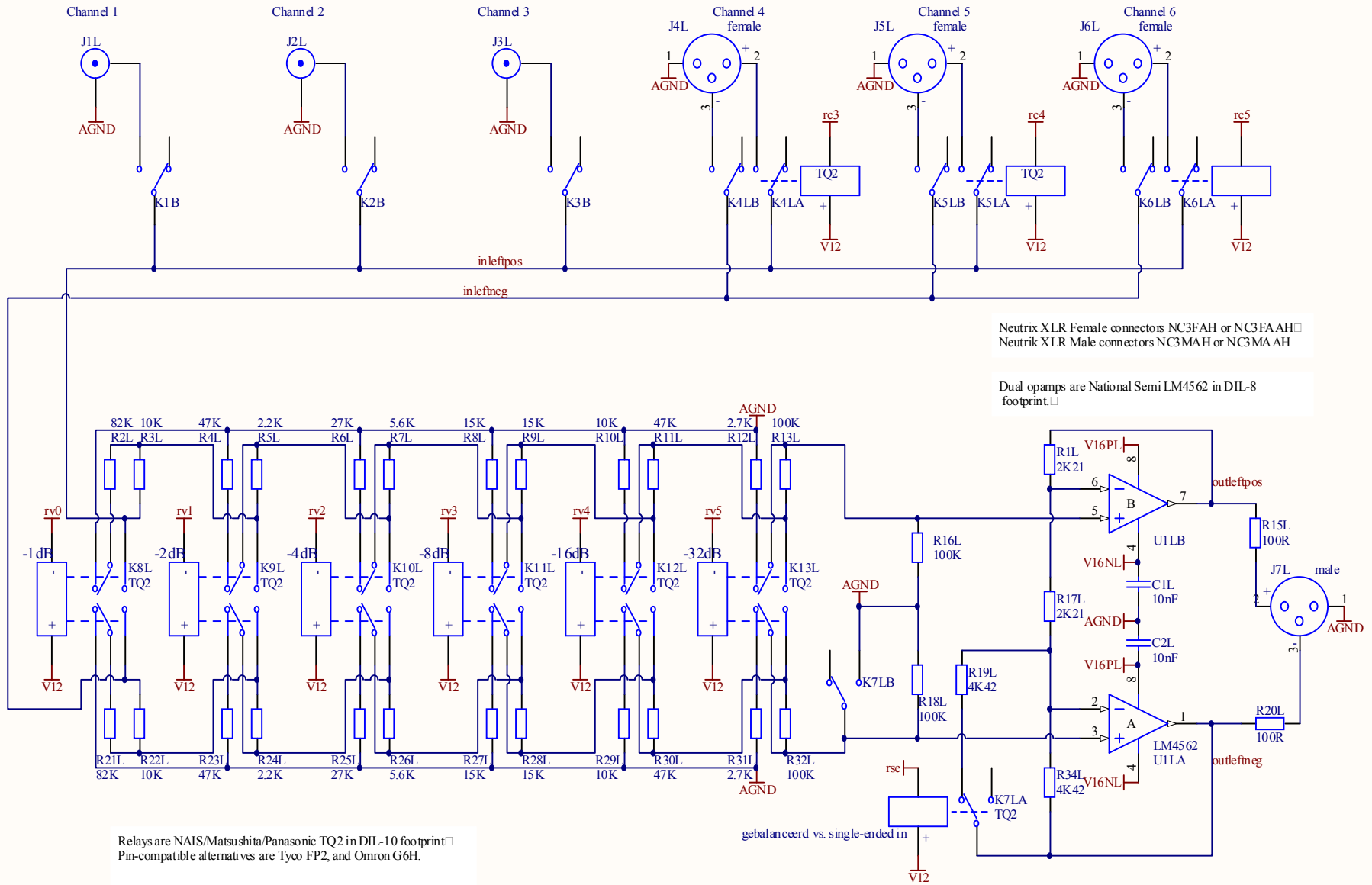


The 220-ohm resistors are combined by 4 in an 8-pin SIL footprint

Title		
Balanced preamp - Digital control		
Size	Number	Revision
A4		1.0
Date:	11-11-2007	Sheet of
File:	E:\Documents\os\..\SheetDisplay.SchDoc	Drawn By: Jos van Eijndhoven

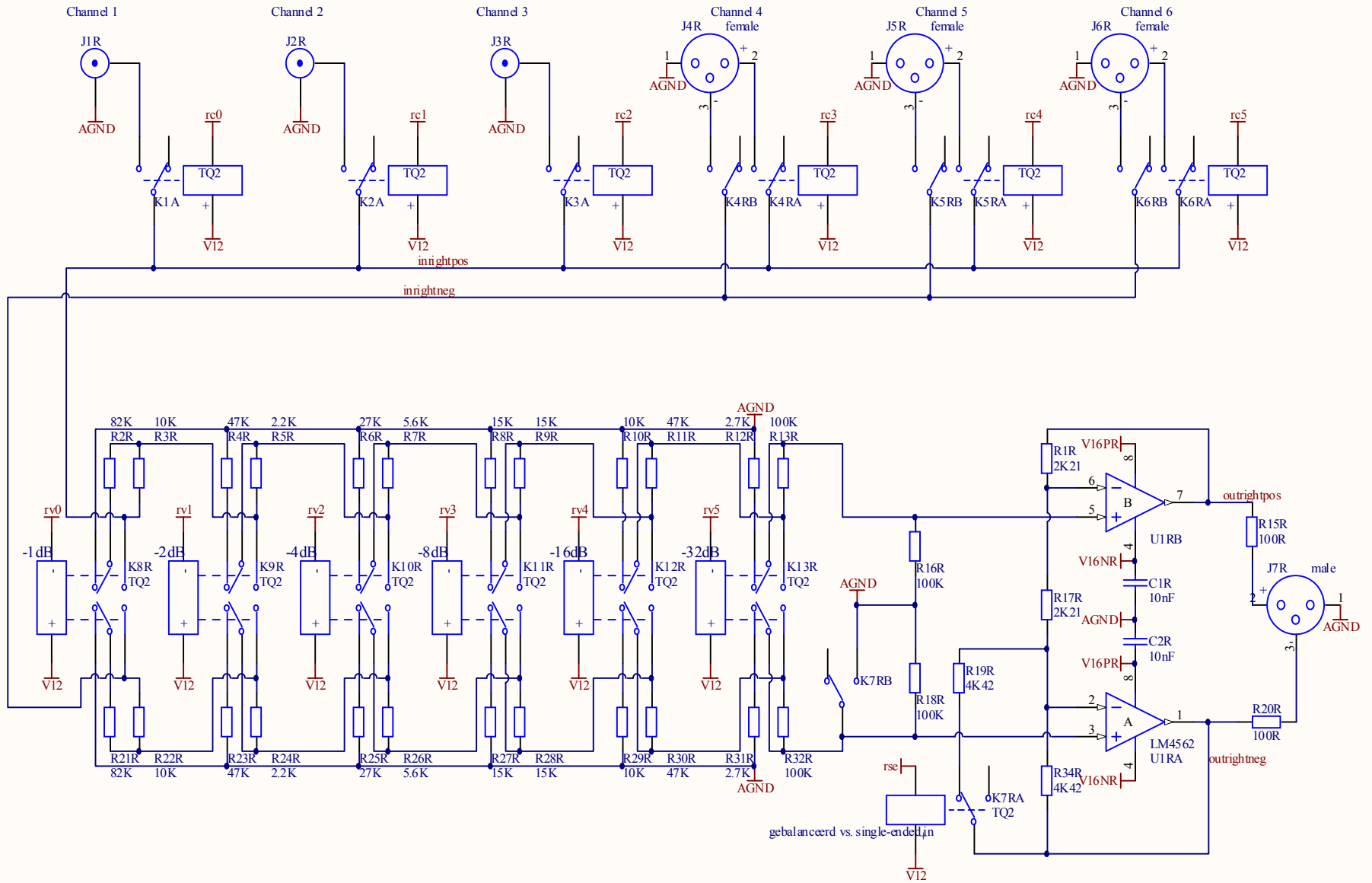


Neutrix XLR Female connectors NC3FAH or NC3FAAH □
 Neutrik XLR Male connectors NC3MAH or NC3MAAH □

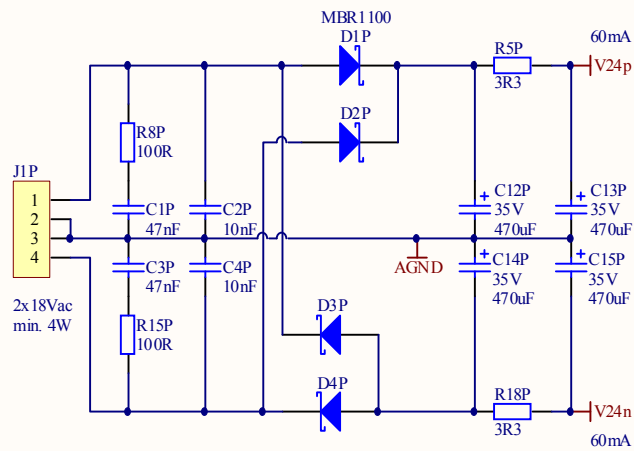
Dual opamps are National Semi LM4562 in DIL-8 footprint. □

Relays are NAIS/Matsushita/Panasonic TQ2 in DIL-10 footprint □
 Pin-compatible alternatives are Tyco FP2, and Omron G6H.

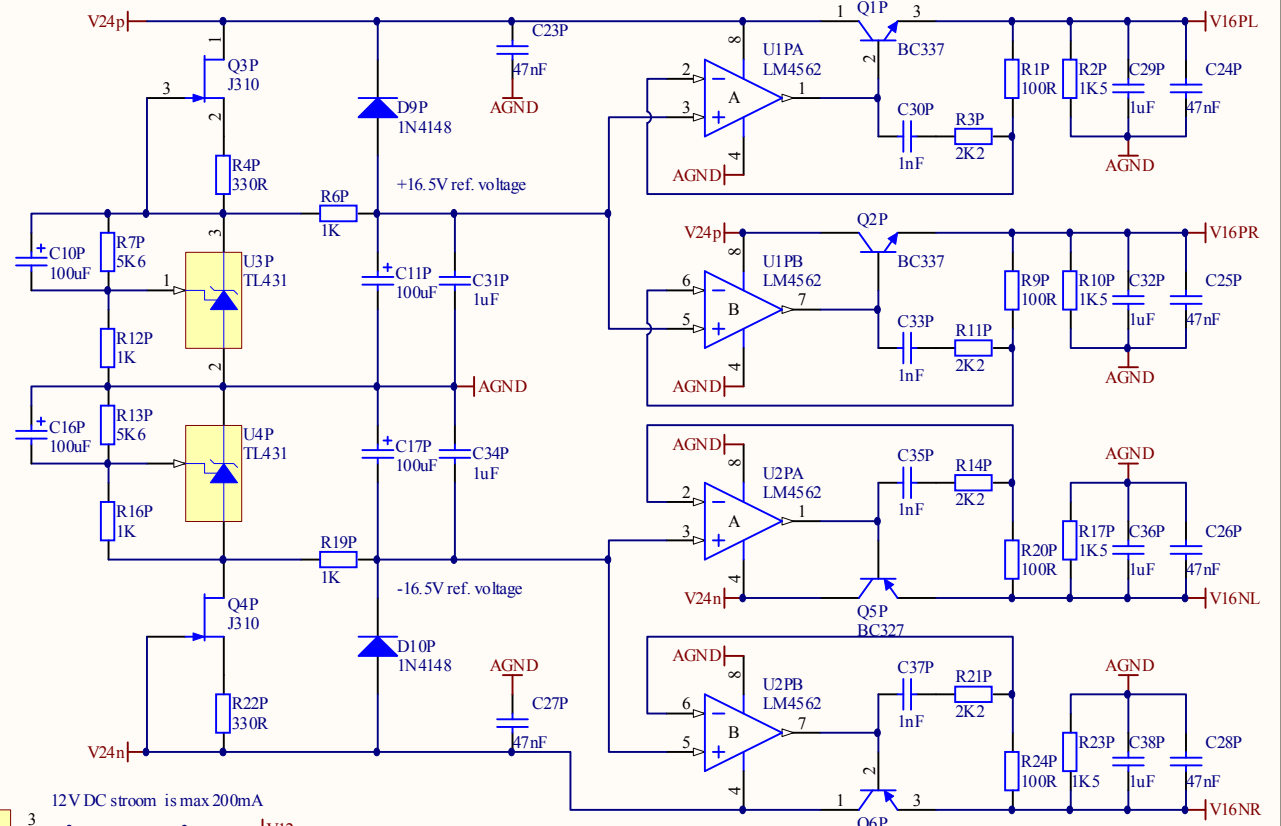
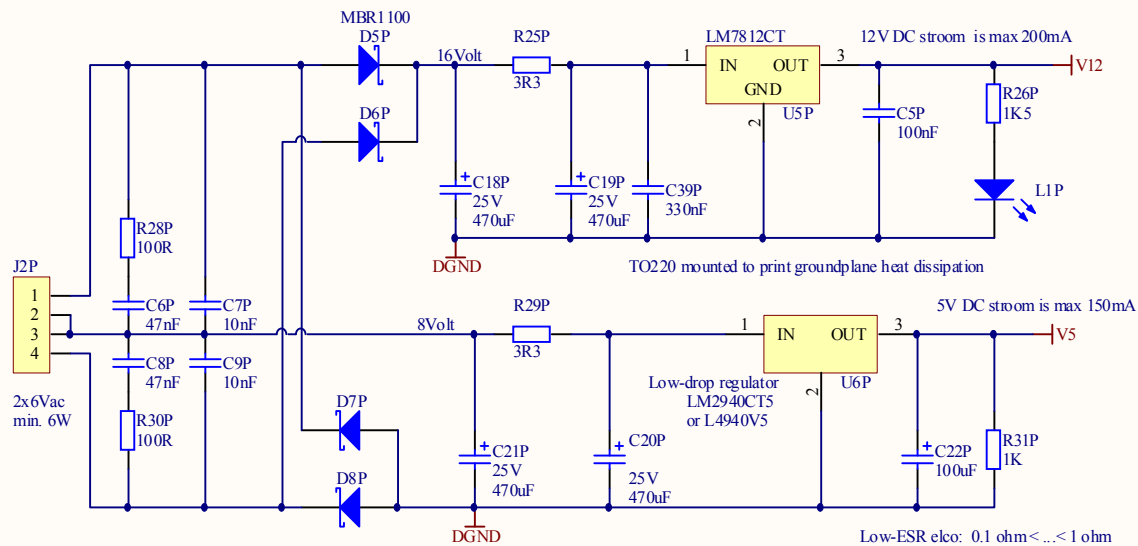
Title		
Balanced preamp - Left Audio		
Size	Number	Revision
A4		1.0
Date:	10-11-2007	Sheet of
File:	E:\Documents\os\SheetRelaysLef.SCHDIAEawn By: jos@vaneijndhoven.net	



Title		
Balanced preamp - Right Audio		
Size	Number	Revision
A4		1.0
Date:	10-11-2007	Sheet of
File:	E:\Documents\os\SheetRelaysRight.SCH	Drawn By: jos@vaneijndhoven.net

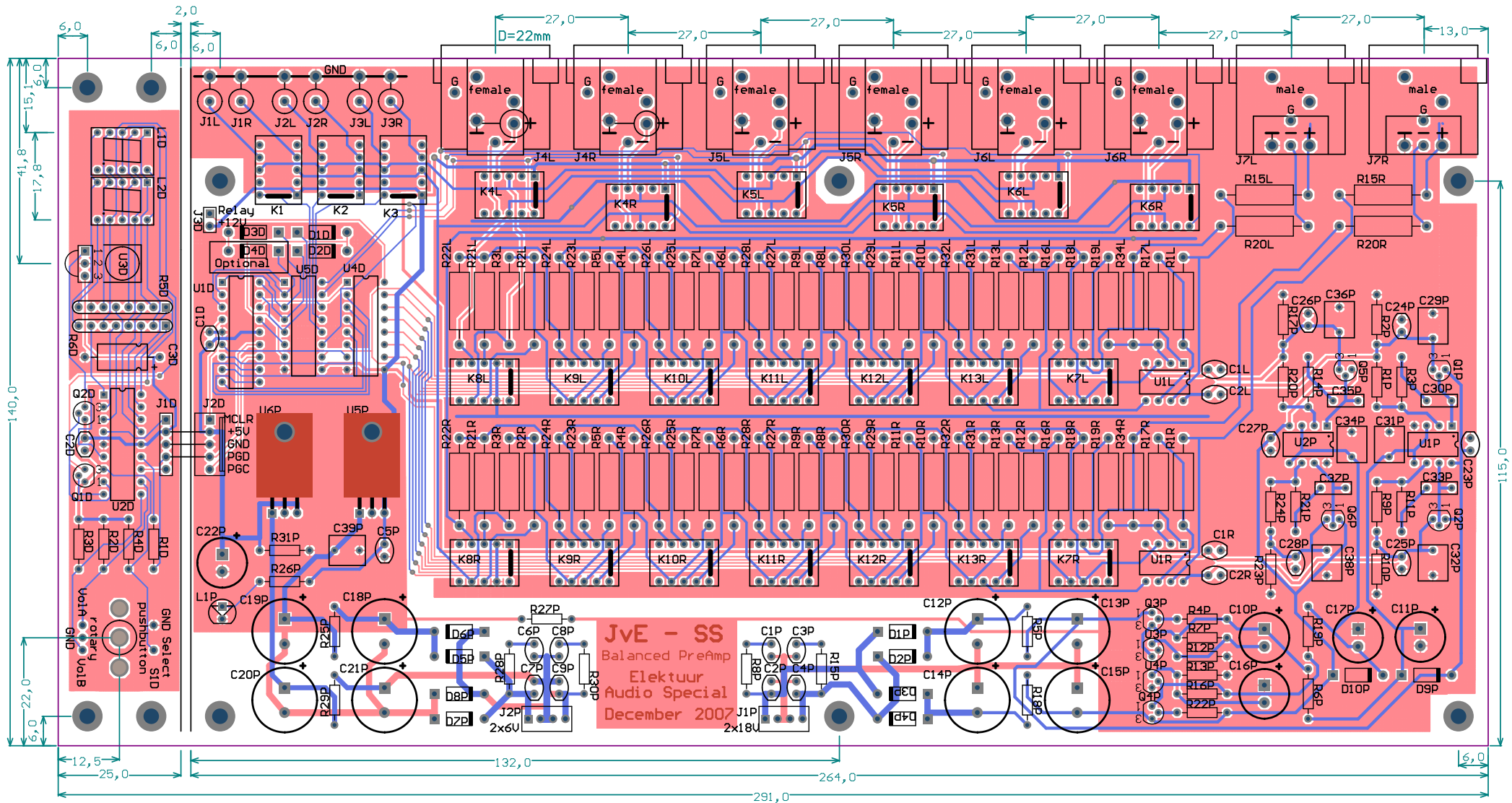


Power transformers are not pcb mounted



All resistors R*P are 0.25W, pitch 0.4"
 10nF to 100nF Cs are Ceramic-Multilayer (X7R), 0.1" pitch
 1nF, 330nF and 1uF are film-Caps (MKS), pitch 0.1" and 0.2"
 100uF and 470uF are radial elcos, pitch 3.5mm and 5mm

Title		
Balanced Preamp - Power supply		
Size	Number	Revision
A4		1.0
Date:	10-11-2007	Sheet of
File:	E:\Documents\os.\SheetPower.SCHDOC	Drawn By: jos@vaneijndhoven.net



Dimensions in mm
Print-out scaled to 90%